

JENN-AIR GAS COOKTOPS

USE & CARE GUIDE

TABLE OF CONTENTS

Important Safety Instructions	1-4
Using Your Cooktop	5-6
Care & Cleaning	7
Troubleshooting	8
Warranty & Service	9
Guide de l'utilisation et entretien	10
Guía de Uso y Cuidado	19



Installer: Please leave this manual with this appliance.

Consumer: Please read and keep this manual for future reference. Keep sales receipt and/or canceled check as proof of purchase.

Model Number _____

Serial Number _____

Date of Purchase _____

If you have questions, call:
Jenn-Air Customer Assistance
1-800-JENNAIR (1-800-536-6247)
1-800-688-2080 (U.S. TTY for hearing or speech impaired)
(Mon.-Fri., 8 am-8 pm Eastern Time)
Internet: <http://www.jennair.com>

In our continuing effort to improve the quality and performance of our cooking products, it may be necessary to make changes to the appliance without revising this guide.

For service information, see page 9.

IMPORTANT SAFETY INSTRUCTIONS

Warning and Important Safety Instructions appearing in this guide are not meant to cover all possible conditions and situations that may occur. Common sense, caution, and care must be exercised when installing, maintaining, or operating the appliance.

Always contact your dealer, distributor, service agent, or manufacturer about problems or conditions you do not understand.

Recognize Safety Symbols, Words, Labels

WARNING

WARNING – Hazards or unsafe practices which COULD result in severe personal injury or death.

CAUTION

CAUTION – Hazards or unsafe practices which COULD result in minor personal injury.

Read and follow all instructions before using this appliance to prevent the potential risk of fire, electric shock, personal injury or damage to the appliance as a result of improper usage of the appliance. Use appliance only for its intended purpose as described in this guide.

To ensure proper and safe operation: Appliance must be properly installed and grounded by a qualified technician. Do not attempt to adjust, repair, service, or replace any part of your appliance unless it is specifically recommended in this guide. All other servicing should be referred to a qualified servicer. Have the installer show you the location of the gas shut off valve and how to shut it off in an emergency.

Always disconnect power to appliance before servicing.

WARNING

If the information in this manual is not followed exactly, a fire or explosion may result causing property damage, personal injury or death.

- **Do not store or use gasoline or other flammable vapors and liquids in the vicinity of this or any appliance.**
- **IF YOU SMELL GAS:**
 - **Do not try to light any appliance.**
 - **Do not touch any electrical switch.**
 - **Do not use any phone in your building.**
 - **Immediately call your gas supplier from a neighbor's phone. Follow the gas supplier's instructions.**
 - **If you cannot reach your gas supplier, call the fire department.**
- **Installation and service must be performed by a qualified installer, service agency or the gas supplier.**

WARNING

Gas leaks may occur in your system and result in a dangerous situation. Gas leaks may not be detected by smell alone. Gas suppliers recommend you purchase and install an UL approved gas detector. Install and use in accordance with the manufacturer's instructions.

IMPORTANT SAFETY INSTRUCTIONS

To Prevent Fire or Smoke Damage

CAUTION

NEVER leave any items on the cooktop. The hot air may ignite flammable items and may increase pressure in closed containers which may cause them to burst.

Be sure all packing materials are removed from the appliance before operating it.

Keep area around appliance clear and free from combustible materials, gasoline, and other flammable vapors and materials.

If appliance is installed near a window, proper precautions should be taken to prevent curtains from blowing over burners.

Many aerosol-type spray cans are **EXPLOSIVE** when exposed to heat and may be highly flammable. Avoid their use or storage near an appliance.

Many plastics are vulnerable to heat. Keep plastics away from parts of the appliance that may become warm or hot. Do not leave plastic items on the cooktop as they may melt or soften if left too close to a lighted surface burner.

To eliminate the hazard of reaching over hot surface burners, cabinet storage should not be provided directly above a unit. If storage is provided, it should be limited to items which are used infrequently and which are safely stored in an area subjected to heat from an appliance. Temperatures may be unsafe for some items, such as volatile liquids, cleaners or aerosol sprays.

A faint gas odor may indicate a gas leak. If a gas odor is detected, shut off the gas supply to the cooktop. Call your installer or local gas company to have the possible leak checked. **Never use a match or other flame to locate a gas leak.**

In Case of Fire

Turn off appliance and ventilating hood to avoid spreading the flame. Extinguish flame then turn on hood to remove smoke and odor.

- Smother fire or flame in a pan with a lid or cookie sheet.
- **NEVER** pick up or move a flaming pan.

Do not use water on grease fires. Use baking soda, a dry chemical or foam-type extinguisher to smother fire or flame.

Child Safety

CAUTION

NEVER store items of interest to children in cabinets above an appliance. Children climbing on the appliance to reach items could be seriously injured.

NEVER leave children alone or unsupervised near the appliance when it is in use or is still hot.

NEVER allow children to sit or stand on any part of the appliance as they could be injured or burned.

Children must be taught that the appliance and utensils on it can be hot. Let hot utensils cool in a safe place, out of reach of small children. Children should be taught that an appliance is not a toy. Children should not be allowed to play with controls or other parts of the unit.

About Your Appliance

WARNING

NEVER use this appliance as a space heater to heat or warm a room. Doing so may result in carbon monoxide poisoning and overheating of the oven.

NEVER cover any slots, holes or passages with materials such as aluminum foil. Doing so blocks air flow and may cause carbon monoxide poisoning. Aluminum foil may also trap heat causing a fire hazard.

NEVER obstruct the flow of combustion and ventilation air by blocking the oven vent or air intakes. Doing so restricts air to the burners and may result in carbon monoxide poisoning.

Do not use the cooktop as a storage area for food or cooking utensils.

Potentially hot surfaces include cooktop, and areas facing the cooktop.

Cooking Safety

Always place a pan on a surface burner before turning it on. Be sure you know which knob controls which surface burner. Make sure the correct burner is turned on and that the burner has ignited. When cooking is completed, turn burner off before removing pan to prevent exposure to burner flame.

Always adjust surface burner flame so that it does not extend beyond the bottom edge of the pan. An excessive flame is hazardous, wastes energy and may damage the appliance, pan or cabinets above the appliance.

IMPORTANT SAFETY INSTRUCTIONS

NEVER leave a surface cooking operation unattended especially when using a high heat setting or when deep fat frying. Boilovers cause smoking and greasy spillovers may ignite. Clean up greasy spills as soon as possible. Do not use high heat for extended cooking operations.

NEVER heat an unopened container on the surface burner. Pressure build-up may cause container to burst resulting in serious personal injury or damage to the appliance.

Use dry, sturdy potholders. Damp potholders may cause burns from steam. Dishtowels or other substitutes should never be used as potholders because they can trail across hot surface burners and ignite or get caught on appliance parts.

Always let quantities of hot fat used for deep fat frying cool before attempting to move or handle.

Do not let cooking grease or other flammable materials accumulate in or near the appliance, hood or vent fan. Clean hood frequently to prevent grease from accumulating on hood or filter. When flaming foods under the hood turn the fan on.

NEVER wear garments made of flammable material or loose fitting or long-sleeved apparel while cooking. Clothing may ignite or catch utensil handles.

Utensil Safety

Use pans with flat bottoms and handles that are easily grasped and stay cool. Avoid using unstable, warped, easily tipped or loose-handled pans. Also avoid using pans, especially small pans, with heavy handles as they could be unstable and easily tip. Pans that are heavy to move when filled with food may also be hazardous.

Be sure utensil is large enough to properly contain food and avoid boilovers. Pan size is particularly important in deep fat frying. Be sure pan will accommodate the volume of food that is to be added as well as the bubble action of fat.

To minimize burns, ignition of flammable materials and spillage due to unintentional contact with the utensil, do not extend handles over adjacent surface burners. Always turn pan handles toward the side or back of the appliance, not out into the room where they are easily hit or reached by small children.

Never let a pan boil dry as this could damage the utensil and the appliance.

Only certain types of glass, glass/ceramic, ceramic or glazed utensils are suitable for cooktop usage without breaking due to the sudden change in temperature. Follow manufacturer's instructions when using glass.

This appliance has been tested for safe performance using conventional cookware. Do not use any devices or accessories that are not specifically recommended in this guide. Do not use eyelid covers for the surface units or stovetop grills. The use of devices or accessories that are not expressly recommended in this manual can create serious safety hazards, result in performance problems, and reduce the life of the components of the appliance.

Cleaning Safety

Turn off all controls and wait for appliance parts to cool before touching or cleaning them. Do not touch the burner grates or surrounding areas until they have had sufficient time to cool.

Clean appliance with caution. Use care to avoid steam burns if a wet sponge or cloth is used to wipe spills on a hot surface. Some cleaners can produce noxious fumes if applied to a hot surface.

Important Safety Notice and Warning

The California Safe Drinking Water and Toxic Enforcement Act of 1986 (Proposition 65) requires the Governor of California to publish a list of substances known to the State of California to cause cancer or reproductive harm, and requires businesses to warn customers of potential exposures to such substances.

Users of this appliance are hereby warned that the burning of gas can result in low-level exposure to some of the listed substances, including benzene, formaldehyde and soot, due primarily to the incomplete combustion of natural gas or liquid petroleum (LP) fuels. Properly adjusted burners will minimize incomplete combustion. Exposure to these substances can also be minimized by properly venting the burners to the outdoors.

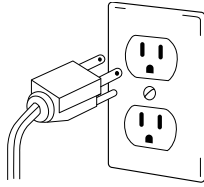
IMPORTANT NOTICE REGARDING PET BIRDS:

Never keep pet birds in the kitchen or in rooms where the fumes from the kitchen could reach. Birds have a very sensitive respiratory system. Fumes released during an oven self-cleaning cycle may be harmful or fatal to birds. Fumes released due to overheated cooking oil, fat, margarine and overheated non-stick cookware may be equally harmful.

IMPORTANT SAFETY INSTRUCTIONS

Electrical Connection

Appliances which require electrical power are equipped with a **three-prong grounding plug** which must be plugged directly into a properly grounded three-hole 120 volt electrical outlet.



Always disconnect power to appliance before servicing.

The three-prong grounding plug offers protection against shock hazards. **DO NOT CUT OR REMOVE THE THIRD GROUNDING PRONG FROM THE POWER CORD PLUG.**

If an ungrounded, two-hole or other type electrical outlet is encountered, **it is the personal responsibility of the appliance owner to have the outlet replaced with a properly grounded three-hole electrical outlet.**

Save These Instructions for Future Reference

USING YOUR COOKTOP

Surface Controls

! CAUTION

- If flame should go out during a cooking operation, turn the burner off. If a strong gas odor is detected, open a window and wait five minutes before relighting the burner.
- Be sure all surface controls are set to the **OFF** position prior to supplying gas to the cooktop.
- **NEVER** touch cooktop until it has cooled. Expect some parts of the cooktop, especially around the burners, to become warm or hot during cooking. Use potholders to protect hands.

Surface Control Knobs

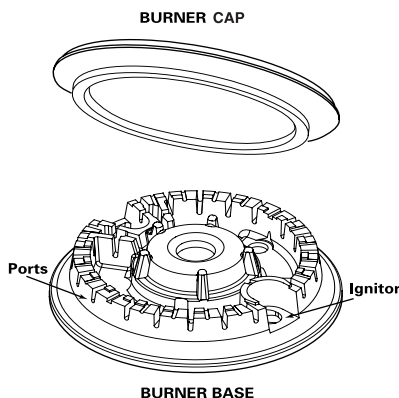
Use to turn on the surface burners. An infinite choice of heat settings is available from **Lo** to **Hi**. At the **Hi** setting a detent or notch may be felt.



Pilotless Ignition

Pilotless ignition eliminates the need for a constant standing pilot light. Each surface burner has a spark ignitor. Use care when cleaning around the surface burner.

If the surface burner does not light, check if ignitor is broken, soiled or wet.



Setting the Controls

Your cooktop has sealed gas burners with automatic re-ignition. If the burner flame should go out, the system will automatically spark to re-ignite the burner.

1. Place a pan on the burner grate. (To preserve the grate finish, do not operate the burners without a pan on the grate to absorb the heat from the burner flame.)
2. Push in knob and turn immediately counterclockwise to the desired setting.
 - A clicking (spark) sound will be heard and the burner will light. (All ignitors will spark when any surface burner knob is turned on. However, only the selected burner will light.)

Operating During a Power Failure

1. Hold a lighted match to the desired surface burner head.
2. Push in and turn the control knob slowly to the desired setting.

! CAUTION

- When lighting the surface burners, be sure all of the controls are in the **OFF** position. Strike the match first and hold it in position before turning the knob.
- **Do not** leave the cooktop unattended when cooking during a power failure. The automatic re-ignition feature will not operate during a power failure.

Suggested Heat Settings

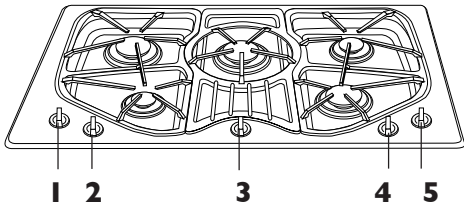
The size and type of cookware will affect the heat setting. For information on cookware and other factors affecting heat settings, refer to "Cooking Made Simple" booklet.

SETTINGS	USES
<p>Hi</p>	<p>Use Hi to bring liquid to a boil, or reach pressure in a pressure cooker. Always reduce setting to a lower heat when liquids begin to boil or foods begin to cook.</p> <p>An intermediate flame size is used to continue cooking. Food will not cook any faster when a higher flame setting is used than needed to maintain a gentle boil. Water boils at the same temperature whether boiling gently or vigorously.</p>
<p>Lo</p>	<p>Use Lo to simmer foods, keep foods warm and melt chocolate or butter.</p> <p>Some cooking may take place on the Lo setting if the pan is covered. It is possible to reduce the heat by rotating the knob toward OFF. Be sure flame is stable.</p>

USING YOUR COOKTOP

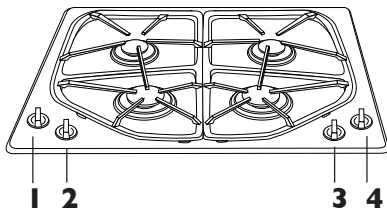
Cooktop at a Glance

MODEL JGC8536



1. Left rear surface burner (9,200 BTUs).
2. Left front surface burner (5,000 BTUs on **Hi**, 650 BTUs on **Lo**).
3. Center surface burner (15,000 BTUs).
4. Right front surface burner (12,500 BTUs).
5. Right rear surface burner (5,000 BTUs on **Hi**, 650 BTUs on **Lo**).

MODEL JGC8430B



1. Left rear surface burner (10,500 BTUs).
2. Left front surface burner (5,000 BTUs on **Hi**, 650 BTUs on **Lo**).
3. Right front surface burner (15,000 BTUs).
4. Right rear surface burner (9,200 BTUs).

To prevent the cooktop from discoloring or staining:

- Clean cooktop after each use.
- Wipe acidic or sugary spills as soon as the cooktop has cooled as these spills may discolor the surface.

Sealed Burners

The sealed burners are secured to the cooktop and are not designed to be removed. Since the burners are sealed into the cooktop, boilovers or spills will not seep underneath the cooktop.

However, the burners should be cleaned after each use. The head portion of the burner is easily removed for cleaning. (See page 7 for cleaning directions.)

Burner caps must be correctly placed on the burner base for proper operation of the burner.

High Performance Burner*

There is one high speed burner on your cooktop, located in the center or right front position. This burner offers higher speed cooking that can be used to quickly bring water to a boil and for large-quantity cooking.

Simmer Burners*

These burners are located in the left front position and/or the right rear position. The simmer burner offers a lower BTU flame for delicate sauces or melting chocolate.

* BTU ratings will vary when using LP gas.

Burner Grates

The grates must be properly positioned before cooking. Improper installation of the grates may result in chipping of the cooktop. To ensure proper positioning, align bumpers on grate bottom with the indentations in the cooktop.

Do not operate the burners without a pan on the grate. The grate's porcelain finish may chip without a pan to absorb the heat from the burner flame.

Although the burner grates are durable, they will gradually lose their shine and/or discolor, due to the high temperatures of the gas flame.

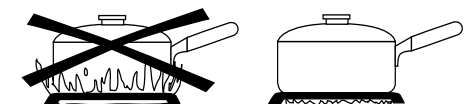
Notes :

- A properly adjusted burner with clean ports will light within a few seconds. If using natural gas, the flame will be blue with a deeper blue inner cone.

If the burner flame is yellow or is noisy, the air/gas mixture may be incorrect. Contact a service technician to adjust. (Adjustments are not covered by the warranty.)

With LP gas, some yellow tips on the flames are acceptable. This is normal and adjustment is not necessary.

- With some types of gas, you may hear a "popping" sound when the surface burner is turned off. This is a normal operating sound of the burner.
- To improve cooking efficiency and to prevent possible damage to the cooktop or pan, the flame must be adjusted so it does not extend beyond the edge of the pan.



CARE & CLEANING

Cleaning Procedures



CAUTION

- Be sure appliance is off and all parts are cool before handling or cleaning. This is to avoid damage and possible burns.
- To prevent staining or discoloration, clean appliance after each use.
- If a part is removed, be sure it is correctly replaced.

* Brand names for cleaning products are registered trademarks of the respective manufacturers.

** To order direct, call 1-800-JENNAIR (1-800-536-6247).

PART	PROCEDURE
Removable Burner Caps	<ul style="list-style-type: none"> • Allow burner to cool. Remove burner cap and wash in soapy water with a plastic scouring pad. For stubborn soils, clean with a soap-filled, nonabrasive pad or Cooktop Cleaning Creme (Part #20000001)** and a sponge. • Do not clean in dishwasher or self-cleaning oven.
Sealed Gas Burner	<ul style="list-style-type: none"> • Clean frequently. Allow burner to cool. Clean with soap and plastic scouring pad. For stubborn soils, clean with a soap-filled, nonabrasive pad. • Be careful not to get water into the center of the burner. • Use care when cleaning the ignitor. If the ignitor is wet or damaged the surface burner will not light. • To ensure even cooking performance, keep burner ports free of food soils/debris.
Burner Grates	<ul style="list-style-type: none"> • Wash grates with warm, soapy water and a nonabrasive, plastic scrubbing pad. For stubborn soils, clean with a soap-filled, nonabrasive pad or a sponge and Cooktop Cleaning Creme (Part #20000001)** and a sponge. If soil remains, reapply Cooktop Cleaning Creme, cover with a damp paper towel and soak for 30 minutes. Scrub again, rinse and dry. • The grates are made of porcelain on cast iron and are very durable, however, they will gradually lose their shine and/or discolor. This is due to exposure to high temperatures from the gas flame. • Do not clean in dishwasher or self-cleaning oven.
Control Knobs	<ul style="list-style-type: none"> • Remove knobs in the OFF position by pulling up. • Wash, rinse and dry. Do not use abrasive cleaning agents as they may scratch the finish. • Turn on each burner to be sure the knobs have been correctly replaced.
Cooktop and Porcelain Enamel	<p>Porcelain enamel is glass fused on metal and may crack or chip with misuse. It is acid resistant, not acid proof. All spillovers, especially acidic or sugary spillovers, should be wiped up immediately with a dry cloth.</p> <ul style="list-style-type: none"> • When cool, wash with soapy water, rinse and dry. • Never wipe off a warm or hot surface with a damp cloth. This may cause cracking or chipping. • Never use oven cleaners, abrasive or caustic cleaning agents on exterior finish of range.
Cooktop-Stainless Steel (select models)	<ul style="list-style-type: none"> • DO NOT USE ANY CLEANING PRODUCT CONTAINING CHLORINE BLEACH. • ALWAYS WIPE WITH THE GRAIN WHEN CLEANING. • DO NOT USE ORANGE OR ABRASIVE CLEANERS. • Daily Cleaning/Light Soil -- Wipe with one of the following - soapy water, white vinegar/water solution, Formula 409 Glass and Surface Cleaner* or a similar glass cleaner - using a sponge or soft cloth. Rinse and dry. To polish and help prevent fingerprints, follow with Stainless Steel Magic Spray* (Part No. 20000008)**. • Moderate/Heavy Soil -- Wipe with one of the following - Bon Ami, Smart Cleanser, or Soft Scrub* - using a damp sponge or soft cloth. Rinse and dry. Stubborn soils may be removed with a damp multi-purpose Scotch-Brite* pad; rub evenly with the grain. Rinse and dry. To restore luster and remove streaks, follow with Stainless Steel Magic Spray*. • Discoloration -- Using a damp sponge or soft cloth, wipe with Cameo Stainless Steel Cleaner*. Rinse immediately and dry. To remove streaks and restore luster, follow with Stainless Steel Magic Spray*.

TROUBLESHOOTING

PROBLEM	SOLUTION
Surface burner fails to light.	<ul style="list-style-type: none">• Check to be sure plug is securely inserted into receptacle.• Check or re-set circuit breaker. Check or replace fuse.• Check power supply.• Check to be sure burner is correctly rated for your kind of gas.• Check to be sure burner ports or ignition ports are not clogged.• Check to be sure ignitor is dry and clicking. Burner will not light if ignitor is damaged, soiled or wet. If ignitor doesn't click, turn control knob OFF.• Check to be sure burner cap is correctly seated on the burner base.
Surface burner flame lifts off ports.	<ul style="list-style-type: none">• Check to be sure a pan is sitting on the grate above.• Contact an authorized Jenn-Air servicer.
The flame is uneven.	<ul style="list-style-type: none">• Burner ports may be clogged.• Flame may need to be adjusted. Contact an authorized Jenn-Air servicer.
Surface burner flame is yellow in color.	<ul style="list-style-type: none">• Some yellow tips on the flame are acceptable when using LP gas.• Contact an authorized Jenn-Air servicer.

WARRANTY & SERVICE

Full One Year Warranty - Parts and Labor

For **one (1) year** from the original retail purchase date, any part which fails in normal home use will be repaired or replaced free of charge.

Please Note: This full warranty applies only when the appliance is located in the United States or Canada. Appliances located elsewhere are covered by the limited warranties only, including parts which fail during the first year.

Limited Warranties - Parts Only

Second Through Fifth Year - From the original purchase date, parts listed below (If applicable to the appliance purchased) which fail in normal home use will be repaired or replaced free of charge for the part itself, with the owner paying all other costs, including labor, mileage and transportation, trip charge and diagnostic charge, if required.

- **Touch pad and microprocessor**
- **Magnetron tube**
- **Glass-ceramic Cooktop: Due to thermal breakage**
- **Electric Heating Elements: Surface, broil and bake elements on electric cooking appliances.**
- **Electronic Controls**
- **Sealed Gas Burners**

Canadian Residents

This warranty covers only those appliances installed in Canada that have been listed with Canadian Standards Association unless the appliances are brought into Canada due to transfer of residence from the United States to Canada.

*The specific warranties expressed above are the **ONLY** warranties provided by the manufacturer. This warranty gives you specific legal rights, and you may also have other rights that vary from state to state.*

CUSTOMER'S SOLE AND EXCLUSIVE REMEDY UNDER THIS WARRANTY SHALL BE PRODUCT REPAIR AS PROVIDED HEREIN. IMPLIED WARRANTIES, INCLUDING WARRANTIES OF MERCHANTABILITY OR FITNESS FOR A PARTICULAR PURPOSE, ARE LIMITED TO ONE YEAR OR THE SHORTEST PERIOD ALLOWED BY LAW. MAYTAG CORPORATION SHALL NOT BE LIABLE FOR INCIDENTAL OR CONSEQUENTIAL DAMAGES. SOME STATES AND PROVINCES DO NOT ALLOW THE EXCLUSION OR LIMITATION OF INCIDENTAL OR CONSEQUENTIAL DAMAGES, OR LIMITATIONS ON THE DURATION OF IMPLIED WARRANTIES OF MERCHANTABILITY OR FITNESS, SO THESE EXCLUSIONS OR LIMITATIONS MAY NOT APPLY TO YOU. THIS WARRANTY GIVES YOU SPECIFIC LEGAL RIGHTS AND YOU MAY ALSO HAVE OTHER RIGHTS, WHICH VARY STATE TO STATE OR PROVINCE TO PROVINCE.

What is Not Covered By These Warranties

1. Conditions and damages resulting from any of the following:
 - a. Improper installation, delivery, or maintenance.
 - b. Any repair, modification, alteration, or adjustment not authorized by the manufacturer or an authorized servicer.
 - c. Misuse, abuse, accidents, unreasonable use, or acts of God.
 - d. Incorrect electric current, voltage, or supply.
 - e. Improper setting of any control.
2. Warranties are void if the original serial numbers have been removed, altered, or cannot be readily determined.
3. Light bulbs.
4. Products purchased for commercial or industrial use.
5. The cost of service or service call to:
 - a. Correct installation errors.
 - b. Instruct the user on the proper use of the product.
 - c. Transport the appliance to the servicer and back.
6. Consequential or incidental damages sustained by any person as a result of any breach of these warranties. Some states do not allow the exclusion or limitation of consequential or incidental damages, so the above exclusion may not apply.

If You Need Service

First see the Troubleshooting section in your Use and Care Guide or call Maytag Services, LLC, Jenn-Air Customer Assistance at 1-800-JENNAIR (1-800-536-6247) U.S.A. and Canada.

To Obtain Warranty Service

To locate an authorized service company in your area, contact the dealer from whom your appliance was purchased or call Maytag Services, LLC, Jenn-Air Customer Assistance. Should you not receive satisfactory warranty service, call or write:

Maytag Services, LLC
Attn: CAIR® Center
P.O. Box 2370, Cleveland, TN 37320-2370
U.S. and Canada 1-800-JENNAIR (1-800-536-6247)
U.S. customers using TTY for deaf, hearing impaired or speech impaired, call 1-800-688-2080.

Note: When contacting Maytag Services, LLC, Jenn-Air Customer Assistance about a service problem, please include the following:

- a. Your name, address and telephone number;
- b. Model number and serial number of your appliance;
- c. Name and address of your dealer and date appliance was purchased;
- d. A clear description of the problem you are having;
- e. Proof of purchase.

Use and Care guides, service manuals and parts information are available from Maytag Services, LLC, Jenn-Air Customer Assistance.

SURFACE DE CUISSON À GAZ JENN-AIR

GUIDE D'UTILISATION ET D'ENTRETIEN

TABLE DES MATIÈRES

Instructions de sécurité importantes	11-14
Cuisson sur la surface	15-16
Nettoyage et Entretien	17
Recherche des pannes	18
Garantie et service après-vente	19
Guía de Uso y Cuidado	20

Installateur : Remettez ce guide au propriétaire.

Consommateur : Veuillez lire le guide et le conserver pour consultation ultérieure. Conservez la facture d'achat ou le chèque encaissé comme preuve de l'achat.

Numéro de modèle _____

Numéro de série _____

Date d'achat _____

Si vous avez des questions, veuillez nous appeler :

Service à la clientèle de Jenn-Air

1-800-JENNAIR (1-800-536-6247)

(lundi au vendredi, 8 h à 20 h, heure de l'Est)

Internet: <http://www.jennair.com>

Dans le cadre de nos pratiques d'amélioration constante de la qualité et de la performance de nos produits de cuisson, des modifications de l'appareil qui ne sont pas mentionnées dans ce guide ont pu être introduites.

Reportez-vous à la page 19 pour plus d'informations concernant le service après-vente.

INSTRUCTIONS DE SÉCURITÉ IMPORTANTES

Les instructions de sécurité importantes et les paragraphes « avertissement » de ce guide ne sont pas destinés à couvrir toutes les conditions et situations qui pourraient se présenter. Il faut faire preuve de bon sens, de prudence et de soin lors de l'installation, de l'entretien ou du fonctionnement de l'appareil.

Toujours prendre contact avec le détaillant, le distributeur, l'agent de service après-vente ou le fabricant dans le cas de problèmes ou de conditions qui ne seraient pas comprises.

Reconnaître les étiquettes, paragraphes et symboles sur la sécurité



AVERTISSEMENT

AVERTISSEMENT - Dangers ou pratiques dangereuses qui POURRAIENT résulter en de graves blessures ou même la mort.



ATTENTION

ATTENTION - Dangers ou pratiques dangereuses qui POURRAIENT résulter en des blessures mineures.

Lire toutes les instructions avant d'utiliser cet appareil; observer toutes les instructions pour éliminer les risques d'incendie, choc électrique, dommages matériels et corporels que pourrait susciter une utilisation incorrecte de l'appareil. Utiliser l'appareil uniquement pour les fonctions prévues, décrites dans ce guide.

Pour une utilisation adéquate et en sécurité, il faut que l'appareil soit convenablement installé par un technicien qualifié, et relié à la terre. Ne pas essayer de faire des réglages, des réparations, de l'entretien ou de remplacer une pièce quelconque de l'appareil à moins que cela ne soit spécifiquement recommandé dans ce guide. Tout autre entretien doit être exécuté par un préposé qualifié au service après-vente. Demander à l'installateur de montrer où se trouve le robinet d'arrêt de gaz et comment le fermer en cas d'urgence.

Toujours débrancher l'appareil avant d'y faire de l'entretien.



AVERTISSEMENT

Si les directives données dans le présent guide ne sont pas respectées à la lettre, il y a risque d'incendie ou d'explosion pouvant causer des dommages, des blessures et même la mort.

- **Ne pas ranger ni utiliser d'essence ou autre vapeur ou liquide inflammable à proximité de cet appareil ou de tout autre appareil.**
- **QUE FAIRE SI L'ON SENT UNE ODEUR DE GAZ :**
 - **Ne mettre aucun appareil en marche.**
 - **Ne pas toucher à un interrupteur électrique.**
 - **N'utiliser aucun téléphone de l'immeuble.**
 - **Se rendre chez un voisin et téléphoner immédiatement à la compagnie de gaz. Suivre les directives données par le préposé de la compagnie de gaz.**
 - **S'il est impossible de joindre la compagnie de gaz, téléphoner au service des incendies.**
- **L'installation et les réparations doivent être confiées à un installateur compétent, à une entreprise de service ou à la compagnie de gaz.**



AVERTISSEMENT

Une fuite de gaz pourrait survenir dans le système et susciter une situation dangereuse. L'odorat peut ne pas suffire pour détecter une fuite de gaz. Les fournisseurs de gaz recommandent l'installation d'un détecteur de gaz (homologation UL). Installer et utiliser le détecteur conformément aux instructions du fabricant.

INSTRUCTIONS DE SÉCURITÉ IMPORTANTES

Pour éviter un incendie ou des dommages de fumée

ATTENTION

NE JAMAIS laisser des articles sur la surface de cuisson. L'air chaud de l'événement peut les enflammer et mettre également sous pression des contenants fermés qui pourraient alors exploser.

S'assurer que tous les matériaux de conditionnement sont retirés de l'appareil avant de le mettre en marche.

Garder les matériaux combustibles, l'essence et autres matières et vapeurs inflammables bien éloignés de l'appareil.

Si l'appareil est installé près d'une fenêtre, des précautions appropriées doivent être prises pour éviter que le vent entraîne les rideaux au-dessus des brûleurs.

De nombreux flacons d'aérosol peuvent EXPLOSER lorsqu'on les expose à la chaleur, et ils peuvent contenir un produit très inflammable. Éviter d'utiliser ou remettre un flacon d'aérosol à proximité de l'appareil.

De nombreux articles en plastique peuvent être détériorés par la chaleur. Conserver les articles en plastique à distance des composants de l'appareil susceptibles de devenir tièdes ou chauds. Ne pas laisser des articles en plastique sur la surface de cuisson; un article en plastique trop proche de l'événement du four ou d'un brûleur allumé pourrait s'amollir ou fondre.

Pour éliminer le besoin d'atteindre quelque chose par-dessus les brûleurs de la surface de cuisson, il est préférable qu'il n'y ait aucune armoire de cuisine directement au-dessus de l'appareil. S'il y a une armoire, on ne devrait y remettre que des articles peu fréquemment utilisés et capables de résister à la chaleur émise par l'appareil. La température pourrait être excessive pour certains articles, comme liquides volatils, produits de nettoyage ou flacons d'aérosol.

Une faible odeur de gaz peut indiquer une fuite de gaz. Si l'on décele une odeur de gaz, fermer l'arrivée de gaz à la surface de cuisson. Appeler l'installateur ou la compagnie de gaz de la région pour vérifier les fuites éventuelles. **Ne jamais identifier de fuite de gaz à l'aide d'une allumette ou d'une flamme.**

En cas d'incendie

Interrompre le fonctionnement de l'appareil et de la hotte de ventilation pour minimiser le risque d'extension des flammes. Éteindre les flammes, puis mettre la hotte en marche pour évacuer la fumée et l'air vicié.

- Utiliser un couvercle ou une plaque à biscuits pour étouffer les flammes d'un feu qui se déclare dans un ustensile de cuisine.
- **NE JAMAIS** saisir ou déplacer un ustensile de cuisine enflammé.

Ne pas projeter de l'eau sur un feu de graisse. Utiliser du bicarbonate de sodium, ou un extincteur à mousse ou à produit chimique sec pour éteindre les flammes.

Sécurité pour les enfants

ATTENTION

NE JAMAIS remettre dans une armoire au-dessus d'un appareil des articles auxquels les enfants peuvent s'intéresser. Un enfant tentant de grimper sur l'appareil pour atteindre un objet pourrait subir de graves blessures.

NE JAMAIS laisser des enfants seuls ou sans supervision lorsque l'appareil est en service ou chaud.

NE JAMAIS laisser un enfant s'asseoir ou se tenir sur une partie quelconque de l'appareil. Il pourrait se blesser ou se brûler.

Il est important d'enseigner aux enfants que la cuisinière et les ustensiles placés dessus ou dedans peuvent être chauds. Laisser refroidir les ustensiles en un lieu sûr, hors d'atteinte des enfants. Il est important d'enseigner aux enfants qu'un appareil ménager n'est pas un jouet, et qu'ils ne doivent toucher aucune commande ou autre composant de l'appareil.

Familiarisation avec l'appareil

AVERTISSEMENT

NE JAMAIS utiliser cet appareil comme appareil de chauffage d'appoint pour chauffer ou réchauffer une pièce. Ceci peut entraîner une asphyxie par oxyde de carbone et une surchauffe du four.

NE JAMAIS obturer les fentes, ouïes ou ouvertures avec par exemple une feuille d'aluminium. Ceci empêche l'air de circuler, ce qui pourrait entraîner une asphyxie par oxyde de carbone. La feuille d'aluminium pourrait aussi emprisonner la chaleur, d'où risque d'incendie.

NE JAMAIS couper la circulation de l'air d'aération ou de combustion en obturant les événements ou les arrivées d'air. Ceci réduit la quantité d'air nécessaire aux brûleurs et pourrait entraîner une asphyxie par oxyde de carbone.

INSTRUCTIONS DE SÉCURITÉ IMPORTANTES

Ne pas remiser des aliments ou ustensiles de cuisine sur la surface de cuisson.

Surfaces potentiellement chaudes: surface de cuisson, zones faisant face à la surface de cuisson.

Cuisson et sécurité

Placer toujours un ustensile sur un brûleur de surface avant de l'allumer. Veiller à bien connaître la correspondance entre les boutons de commande et les brûleurs. Veiller à allumer le brûleur correct et vérifier que le brûleur s'allume effectivement. À la fin de la période de cuisson, éteindre le brûleur avant de retirer l'ustensile, pour éviter une exposition aux flammes du brûleur.

Veiller à toujours ajuster correctement la taille des flammes pour qu'elles ne dépassent pas sur la périphérie de l'ustensile. Des flammes de trop grande taille sur un brûleur sont dangereuses, elles suscitent un gaspillage d'énergie et elles peuvent faire subir des dommages à l'ustensile, à l'appareil ou à l'armoire située au-dessus.

NE JAMAIS laisser un brûleur de surface allumé sans surveillance, particulièrement avec une puissance de chauffage élevée ou lors d'une opération de friture. Un débordement pourrait provoquer la formation de fumée et des produits gras pourraient s'enflammer. Éliminer dès que possible les produits gras renversés. Ne pas utiliser une puissance de chauffage élevée pendant une période prolongée.

NE JAMAIS faire chauffer un récipient non ouvert dans le four ou sur un brûleur de surface; l'accumulation de pression dans le récipient pourrait provoquer son éclatement et de graves dommages matériels ou corporels.

Utiliser des maniques robustes et sèches. Des maniques humides peuvent provoquer la formation de vapeur brûlante. Ne jamais utiliser un torchon à vaisselle ou autre article textile à la place de maniques; un tel article pourrait traîner sur un brûleur et s'enflammer, ou accrocher un ustensile ou un composant de l'appareil.

Laisser toujours refroidir un récipient d'huile de friture chaude avant de tenter de le déplacer et le manipuler.

Ne pas laisser la graisse de cuisson ou autre matériau inflammable s'accumuler dans ou près de l'appareil, de la hotte ou du ventilateur de l'évent. Nettoyer fréquemment la hotte pour empêcher toute accumulation sur la hotte elle-même ou sur le filtre. Lors du flambage d'aliments sous la hotte, allumer le ventilateur.

NE JAMAIS porter lors de l'utilisation de l'appareil des vêtements faits d'un matériau inflammable, ou amples, ou à longues manches. De tels vêtements peuvent s'enflammer ou accrocher la poignée d'un ustensile.

Ustensiles et sécurité

Utiliser des ustensiles à fond plat comportant une poignée qu'on peut facilement saisir et qui reste froide. Éviter d'utiliser un ustensile instable ou déformé, qui pourrait facilement basculer, ou dont la poignée est mal fixée. Éviter également d'utiliser des ustensiles de petite taille comportant une poignée lourde; ces ustensiles sont généralement instables et peuvent facilement basculer. Un ustensile lourd lorsqu'il est rempli peut également être dangereux lors des manipulations.

Veiller à utiliser un ustensile de taille suffisante pour que le contenu ne risque pas de déborder. Ceci est particulièrement important pour un ustensile rempli d'huile de friture. Vérifier que la taille de l'ustensile est suffisante pour qu'il puisse recevoir les produits alimentaires à cuire, et absorber l'augmentation de volume suscitée par l'ébullition de la graisse.

Pour minimiser les risques de brûlure, d'inflammation de matières et de renversement par contact non intentionnel avec un ustensile, ne pas orienter la poignée d'un ustensile vers un brûleur adjacent; orienter toujours la poignée d'un ustensile vers le côté ou l'arrière de l'appareil; ne pas laisser non plus la poignée d'un ustensile déborder à l'avant de l'appareil, où un jeune enfant pourrait facilement la saisir.

Veiller à ne jamais laisser le contenu liquide d'un ustensile s'évaporer complètement; l'ustensile et l'appareil pourraient subir des dommages.

Seuls certains matériaux de verre, vitrocéramique, céramique, ou certains ustensiles vitrifiés/émaillés peuvent être utilisés sur la surface de cuisson ou dans le four sans risque de bris sous l'effet du choc thermique. Observer les instructions du fabricant lors de l'utilisation d'un ustensile de verre.

La sécurité de fonctionnement de cet appareil a été testée à l'aide d'ustensiles de cuisine conventionnels. Ne pas utiliser un ustensile ou accessoire qui n'est pas spécifiquement recommandé dans ce guide. Ne pas utiliser de couvre-brûleurs ou gril placé sur la surface de cuisson ou système de convection additionnel. L'utilisation d'un dispositif ou accessoire qui n'est pas expressément recommandé dans ce guide peut dégrader la sécurité de l'appareil ou sa performance, ou réduire la longévité des composants.

INSTRUCTIONS DE SÉCURITÉ IMPORTANTES

Nettoyage et sécurité

Éteindre tous les brûleurs et attendre le refroidissement de tous les composants avant de les toucher ou d'entreprendre le nettoyage. Ne pas toucher la grille d'un brûleur ou la zone voisine avant que ces composants aient pu refroidir suffisamment.

Exercer une grande prudence lors du nettoyage de l'appareil. Travailler prudemment pour éviter des brûlures par la vapeur en cas d'utilisation d'un chiffon ou d'une éponge humide lors de l'élimination d'un produit renversé sur une surface chaude. Certains produits de nettoyage peuvent générer des vapeurs nocives lorsqu'on les applique sur une surface chaude.

Avertissement et avis important pour la sécurité

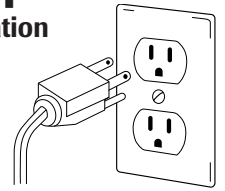
La loi californienne «Safe Drinking Water and Toxic Enforcement Act» de 1986 (proposition 65) stipule la publication par le gouverneur de la Californie d'une liste des substances que l'état de Californie considère comme cancérigènes ou dangereuses pour le système reproducteur, et impose aux entreprises commerciales l'obligation de signaler à leurs clients les risques d'exposition à de telles substances.

Nous informons les utilisateurs de cet appareil qu'ils peuvent être exposés à une faible concentration de certaines substances figurant dans la liste mentionnée ci-dessus, dont benzène, formaldéhyde et suie, du fait de la combustion incomplète du gaz naturel ou du gaz de pétrole liquéfié. Pour minimiser la combustion incomplète, veiller à ce que les brûleurs soient parfaitement réglés. Pour minimiser l'exposition à ces substances, veiller à bien évacuer les gaz de combustion à l'extérieur.

AVIS IMPORTANT - OISEAUX FAMILIERS: Les oiseaux ont un système respiratoire très sensible. Ne pas garder un oiseau familier dans la cuisine ou dans une pièce où il pourrait être exposé aux fumées. Les fumées émises durant une opération d'autonettoyage peuvent être dangereuses ou mortelles pour un oiseau, de même que les fumées émises lors du chauffage excessif de graisse, huile, margarine, par exemple dans un ustensile à garnissage anti-adhésion.

Raccordement électrique

Les appareils nécessitant une alimentation électrique comportent une fiche à trois broches mise à la terre qui doit être branchée directement dans une prise de 120 volts à trois cavités et correctement mise à la terre.



Toujours débrancher l'appareil avant d'y faire de l'entretien.

La fiche à trois broches mise à la terre fournit une protection contre les décharges électriques. **NE PAS COUPER NI ENLEVER LA BROCHE DE TERRE DU CORDON D'ALIMENTATION.**

Si la prise ne comporte que deux cavités, n'est pas mise à la terre ou n'est pas appropriée, **le propriétaire de l'appareil a la responsabilité de faire remplacer la prise par une prise à trois cavités correctement mise à la terre.**

Conserver ces instructions pour consultation ultérieure

CUISSON SUR LA SURFACE

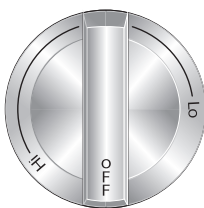
Commandes de la surface de cuisson

! ATTENTION

- Si un brûleur s'éteint durant une opération de cuisson, fermer l'arrivée de gaz au brûleur. Si une forte odeur de gaz est perceptible, ouvrir une fenêtre et attendre cinq minutes avant d'allumer de nouveau le brûleur.
- Avant d'ouvrir l'arrivée de gaz à la cuisinière, vérifier que chaque bouton de commande est à la position **OFF** (ARRÊT).
- **NE JAMAIS** toucher la surface de cuisson avant qu'elle se soit complètement refroidie. Certaines zones de la surface, particulièrement au voisinage des brûleurs, peuvent devenir très chaudes durant une cuisson. Utiliser des maniques.

Boutons de commande de la surface de cuisson

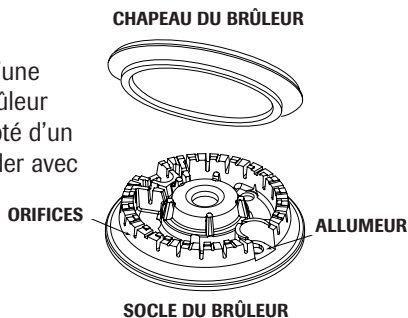
On utilise ces boutons pour commander l'allumage des brûleurs de surface. On peut régler chaque bouton à toute position entre les positions extrêmes **Lo** (min.) et **Hi** (max.). On peut percevoir une détente de calage à la position **Hi** (max.).



Allumage sans flamme de veille

Le système d'allumage sans flamme de veille rend inutile l'alimentation permanente d'une flamme de veille. Chaque brûleur de la table de cuisson est doté d'un allumeur à étincelles. Procéder avec prudence lors du nettoyage au voisinage d'un brûleur de la table de cuisson.

Si un brûleur de la table de cuisson ne s'allume pas, déterminer si l'allumeur est brisé, souillé ou mouillé.



Réglage des commandes

La surface de cuisson comporte des brûleurs scellés avec réallumage automatique. Si la flamme du brûleur venait à s'éteindre, le système produirait automatiquement des étincelles pour allumer de nouveau le brûleur.

1. Placer un ustensile sur la grille du brûleur. (Pour conserver la fini de la grille, ne pas allumer un brûleur sans ustensile sur la grille pour absorber la chaleur de la flamme.)
2. Appuyer sur le bouton et le tourner immédiatement à gauche, sur le réglage désiré.

- Un cliquetis (étincelle) s'entend et le brûleur s'allume. (Tous les allumeurs produisent des étincelles lorsqu'un bouton de commande, quel qu'il soit, est allumé. Cependant, seul le brûleur choisi va s'allumer.)

Utilisation durant une panne d'électricité

1. Approcher une allumette enflammée du brûleur à utiliser.
2. Appuyer sur le bouton et le tourner lentement jusqu'au réglage désiré.

! ATTENTION

- Avant d'allumer un brûleur de surface, vérifier que tous les boutons de commande sont à la position **OFF** (ARRÊT). Approcher l'allumette enflammée du brûleur avant de faire tourner le bouton.
- **Ne pas** laisser la surface de cuisson sans surveillance lors de cuisson pendant une panne d'électricité. Le dispositif automatique de réallumage ne fonctionne pas pendant une panne d'électricité.

Réglages suggérés

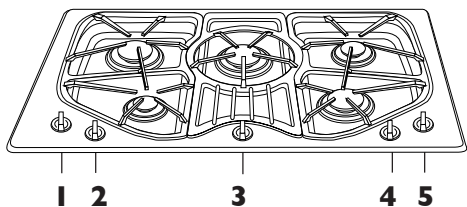
La puissance de chauffage à employer dépend du type et de la taille de l'ustensile utilisé. On trouve dans la brochure «La cuisson simplifiée» de l'information sur les ustensiles et autres facteurs affectant le réglage de la puissance de chauffage.

RÉGLAGES	UTILISATIONS
Hi (max.) 	Hi (max.) : Pour porter un liquide à ébullition ou atteindre la bonne pression dans un autocuiseur. Réduire ensuite la puissance de chauffage après le début de l'ébullition ou de la cuisson des aliments. Une puissance de chauffage intermédiaire est utilisée pour la poursuite de la cuisson. Les aliments ne cuisent pas plus rapidement si on utilise une puissance de chauffage plus élevée que nécessaire pour le maintien d'une douce ébullition. L'eau bout toujours à la même température, que l'ébullition soit tranquille ou vigoureuse.
Lo (min.) 	Lo (min.) : Pour le mijotage ou le maintien de la température d'un mets, ou pour la fusion de chocolat ou beurre. Il est possible de cuire sur réglage Lo (min.), à condition qu'il y ait un couvercle sur l'ustensile. On peut réduire la puissance de chauffage en tournant le bouton vers OFF (Arrêt). S'assurer que la flamme reste stable.

CUISSON SUR LA SURFACE

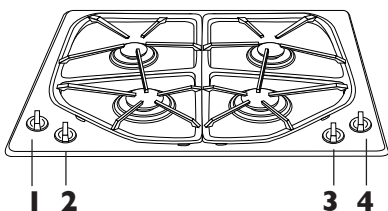
Surface de cuisson

MODÈLE JGC8536



1. Brûleur arrière gauche (9,200 BTU).
2. Brûleur avant gauche (5,000 BTU sur **Hi** [max.], 650 BTU sur **Lo** [min.]).
3. Brûleur central (15,000 BTU).
4. Brûleur avant droit (12,500 BTU).
5. Brûleur arrière droit (5,000 BTU sur **Hi** [max.], 650 BTU sur **Lo** [min.]).

MODÈLE JGC8430B



1. Brûleur arrière gauche (10,500 BTU).
2. Brûleur avant gauche (5,000 BTU sur **Hi** [max.], 650 BTU sur **Lo** [min.]).
3. Brûleur avant droit (15,000 BTU).
4. Brûleur arrière droit (9,200 BTU).

Pour éviter la formation de taches ou un changement de couleur de la surface de cuisson:

- Nettoyer la surface de cuisson après chaque utilisation.
- Enlever les résidus renversés de produits acides ou sucrés dès que la surface de cuisson a refroidi; ces produits renversés peuvent faire changer la couleur de l'émail.

Brûleurs scellés

Les brûleurs scellés sont fixés sur la table de cuisson; ils ne sont pas conçus pour être enlevés. Comme les brûleurs sont scellés dans la table de cuisson, un produit qui déborde d'un ustensile ne s'infiltrera pas sur sous la table de cuisson.

On devrait cependant nettoyer les brûleurs après chaque utilisation. Le chapeau de brûleur est facilement enlevé pour le nettoyage (voir les instructions de nettoyage à la page 17).

Des chapeaux des brûleurs doivent être correctement placés sur la socle de brûleur pour l'exécution appropriée du brûleur.

Brûleur de haute performance*

Cette table de cuisson est dotée d'un brûleur à haute vitesse, placé à la position central ou la position avant droite. On peut utiliser ce brûleur pour faire bouillir rapidement de l'eau ou cuire une grande quantité d'aliments.

Brûleurs de mijotage*

Ces brûleurs sont situés à la position avant/gauche et/ou arrière/droit. Le brûleur de mijotage offre une puissance de chauffage inférieure, pour les sauces délicates ou la fusion du chocolat.

* La puissance thermique des brûleurs est différente lors de l'alimentation au gaz de pétrole liquéfié.

Grilles du brûleur

Avant une opération de cuisson, vérifiez que la grille est correctement placée. Une grille de brûleur incorrectement installée peut écailler l'émail de la surface de cuisson. Pour assurer le positionnement approprié, alignez les butoirs sur le fond de grille avec les impressions dans la surface de cuisson.

Ne pas faire fonctionner un brûleur sans qu'un ustensile soit placé sur la grille. L'émail de la grille peut s'écailler s'il n'y a aucun ustensile capable d'absorber la chaleur émise par le brûleur.

Même si les grilles de brûleur sont très durables, elles perdront progressivement leur lustre et changeront de couleur, du fait des températures élevées auxquelles les brûleurs les exposent.

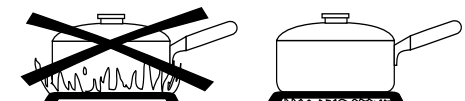
Remarques :

- Un brûleur convenablement réglé et dont les orifices sont propres s'allume en quelques secondes. Lors de l'alimentation au gaz naturel les flammes sont bleues, avec un cône interne bleu intense.

Si les flammes d'un brûleur sont jaunes ou si la combustion est bruyante, le ratio air/gaz peut être incorrect. Demander à un technicien d'effectuer le réglage. (La garantie ne couvre pas ce réglage.)

Lors de l'alimentation au gaz de pétrole liquéfié, il est acceptable que l'extrémité des flammes soit jaune. Ceci est normal; aucun réglage n'est nécessaire.

- Avec certains types de gaz, on peut percevoir un petit bruit d'explosion lors de l'extinction d'un brûleur de surface. Ceci est normal.
- Ajuster la puissance de chauffage de telle manière que les flammes ne débordent pas à la périphérie de l'ustensile.



NETTOYAGE ET ENTRETIEN

Méthodes de nettoyage



ATTENTION

- Avant toute manipulation ou opération de nettoyage, vérifier que l'appareil est arrêté et que tous les composants sont froids, afin d'éviter des dommages ou des brûlures.
- Pour éviter la formation de taches ou un changement de couleur, nettoyer l'appareil après chaque utilisation.
- Après tout démontage de composants, veiller à effectuer un remontage correct.

PIÈCES	NETTOYAGE
Retirez les chapeaux de brûleur	<ul style="list-style-type: none">• Laisser le brûleur refroidir. Retirez les chapeaux de brûleur et laver à l'eau savonneuse et avec un tampon récurer en plastique. Pour les taches rebelles, nettoyer avec un tampon non abrasif, rempli de savon ou avec une éponge et Cooktop Cleaning Creme* (pièce n° 20000001)**.• Ne pas nettoyer dans le lave-vaisselle ou le four autonettoyant.
Scellés de brûleur à gaz	<ul style="list-style-type: none">• Nettoyer fréquemment. Laisser le brûleur refroidir. Nettoyer avec du savon et un tampon à récurer de plastique. Pour des souillures tenaces, utiliser un produit de nettoyage non abrasif avec un chiffon.• Veiller à ne pas laisser de l'eau s'introduire dans le centre du brûleur.• Procéder prudemment lors du nettoyage de l'allumeur. Le brûleur ne s'allumera pas si l'allumeur est mouillé ou endommagé.• Pour assurer faire cuisson même l'exécution, maintenez les ports de brûleur exempts de las saletes de nourriture/ débris.
Grilles des brûleurs	<ul style="list-style-type: none">• Laver les grilles avec de l'eau savonneuse tiède et un tampon à récurer en plastique non abrasif. Pour les souillures tenaces, nettoyer avec un tampon en plastique non abrasif, savonneux, ou avec une éponge et une crème commerciale Cooktop Cleaning Creme* (produit n° 20000001)**. Si le sol reste, réappliquer la Cooktop Cleaning Creme, la couvrir de serviette de papier humide et l'imbibez pendant 30 minutes. Frotter encore, rincer et sécher.• Les grilles sont en fonte émaillée et sont très durables. Cependant, elles vont graduellement perdre leur brillant et se décolorer, par suite de leur exposition aux températures élevées de la flamme de gaz.• Ne pas laver les grilles dans le lave-vaisselle ou four autonettoyant.
Boutons de commande	<ul style="list-style-type: none">• Placer chaque bouton à la position d'ARRÊT, et retirer chaque bouton en haut.• Laver, rincer et faire sécher. Ne pas utiliser un agent de nettoyage abrasif susceptible de rayer la finition.• Allumer chaque brûleur pour vérifier que le bouton a été correctement réinstallé.
Surface de cuisson en émail vitrifié	<p>L'émail vitrifié est un matériau à base de verre fondu sur le métal, qui peut se fissurer ou s'écailler. La couche d'émail possède une certaine résistance aux composés acides, qui n'est pas illimitée. On doit éliminer immédiatement tout résidu de renversement avec un linge sec, particulièrement s'il s'agit de composés acides ou sucrés.</p> <ul style="list-style-type: none">• Sur une surface froide, laver avec de l'eau savonneuse, puis rincer et sécher.• Ne jamais essuyer une surface tiède ou chaude avec un linge humide; ceci pourrait provoquer fissuration ou écaillage.• Ne jamais utiliser sur la finition extérieure de la cuisinière un produit de nettoyage de four ou un produit de nettoyage abrasif ou caustique.
Surface de cuisson en acier inoxydable (certains modèles)	<ul style="list-style-type: none">• NE PAS UTILISER DE PRODUITS DE NETTOYAGE CONTENANT DU JAVELLISANT.• ESSUYER TOUJOURS DANS LE SENS DE L'ACIER LORS DU NETTOYAGE.• NE PAS UTILISER DE NETTOYANTS « ORANGE » OU ABRASIFS.• Nettoyage journalier/saleté légère – Essuyer avec l'un des produits suivants: eau savonneuse, vinaigre blanc/eau, produit de nettoyage pour verre et surface Formula 409* ou un produit semblable verre – avec un linge souple et une éponge. Rincer et sécher. Pour polir et enlever les marques de doigts, faire suivre par une vaporisation de produit Stainless Steel Magic Spray* (pièce n° 20000008)**.• Saleté modérée/épaisse – Essuyer avec l'un des produits suivants: Bon Ami, Smart Cleanser ou Soft Scrub* – à l'aide d'un linge souple ou d'une éponge humide. Rincer et sécher. Les taches rebelles peuvent être enlevées avec un tampon multi-usages Scotch-Brite* humidifié. Frotter uniformément dans le sens du métal. Rincer et sécher. Pour redonner du lustre et retirer les rayures, faire suivre par Stainless Steel Magic Spray.• Décoloration – À l'aide d'une éponge humide ou d'un linge souple, essuyer avec le Cameo Stainless Steel Cleaner*. Rincer immédiatement et sécher. Pour retirer les marques et redonner du lustre, faire suivre par Stainless Steel Magic Spray.

* Les noms de marque des produits de nettoyage sont des marques déposées des différents fabricants.

** Pour commander directement, composer le 1-800-JENNAIR (1-800-536-6247).

RECHERCHE DES PANNES

PROBLÈME	SOLUTION
Un brûleur de surface ne s'allume pas.	<ul style="list-style-type: none">• Vérifier que la fiche de branchement est correctement insérée dans la prise de courant.• Inspecter/réarmer le disjoncteur. Inspecter/remplacer les fusibles.• Contrôler la source d'alimentation électrique.• Vérifier que le brûleur correspond au type de gaz qui l'alimente.• Déterminer s'il y a une obstruction des orifices du brûleur ou de l'orifice situé directement sous l'allumeur.• Vérifier que l'allumeur est sec et qu'il émet des étincelles. Le brûleur ne peut s'allumer si l'allumeur est endommagé, souillé ou mouillé. Si l'allumeur ne génère pas d'étincelles, ramener le bouton de commande à la position OFF (ARRÊT).• Vérifier que la chapeau du brûleur est bien assise sur la base du brûleur.
Séparation entre les flammes et le brûleur.	<ul style="list-style-type: none">• Veiller à placer correctement l'ustensile sur la grille du brûleur.• Prendre contact avec un réparateur agréé Jenn-Air.
Flammes non uniformes.	<ul style="list-style-type: none">• Orifices du brûleur obstrués.• La flamme peut avoir à être réglée. Prendre contact avec un réparateur agréé Jenn-Air.
La flamme d'un brûleur de surface est jaune.	<ul style="list-style-type: none">• Quelques pointes jaunes sur la flamme sont acceptables avec le gaz de pétrole liquéfié.• Prendre contact avec un réparateur agréé Jenn-Air.

GARANTIE ET SERVICE

Garantie complète d'un an - Pièces et main-d'œuvre

Durant une période **d'un (1) an** à compter de la date d'achat d'origine, toute pièce qui se révélerait défectueuse dans les conditions normales d'utilisation domestique sera réparée ou remplacée gratuitement.

Veillez noter : Cette garantie complète ne s'applique que si l'appareil se trouve au Canada ou aux États-Unis. Les appareils situés ailleurs ne sont couverts que par les garanties limitées, y compris les pièces qui se révéleraient défectueuses au cours de la première année suivant l'achat.

Garanties limitées - Pièces seulement

De la deuxième à la cinquième année - À compter de la date d'achat d'origine, les pièces de la liste ci-dessous (le cas échéant) qui se révéleraient défectueuses dans les conditions normales d'utilisation domestique seront réparées ou remplacées gratuitement (pièces seulement) et le propriétaire devra assumer tous les autres frais dont ceux de main-d'œuvre, de déplacement, de transport, de kilométrage et de diagnostic, si nécessaire.

- **Touches et microprocesseur**
- **Magnétron**
- **Surface de cuisson en vitrocéramique :** par suite de bris thermique
- **Éléments chauffants électriques :** Éléments de surface, de gril et de cuisson au four sur appareils de cuisson électriques.
- **Commandes électroniques**
- **Brûleurs à gaz scellés**

Résidents canadiens

Cette garantie couvre uniquement les appareils installés au Canada qui ont été agréés par la CSA, sauf si les appareils ont été introduits au Canada en raison d'un changement de résidence des États-Unis vers le Canada.

Les garanties spécifiques formulées ci-dessus sont les SEULES que le fabricant accorde. Cette garantie vous confère des droits juridiques spécifiques. Vous pouvez également bénéficier d'autres droits, qui varient d'un État à l'autre ou d'une province à l'autre.

LE SEUL ET UNIQUE RECOURS DU CLIENT EN VERTU DE CETTE GARANTIE EST LA RÉPARATION DU PRODUIT COMME DÉCRIT PRÉCÉDEMMENT. LES GARANTIES IMPLICITES, Y COMPRIS LES GARANTIES DE QUALITÉ MARCHANDE OU D'ADAPTATION À UN USAGE PARTICULIER, SONT LIMITÉES À UN AN OU À LA PÉRIODE LA PLUS COURTE PERMISE PAR LA LOI. MAYTAG CORPORATION NE PEUT ÊTRE TENUE RESPONSABLE DES DOMMAGES ACCESSOIRES OU INDIRECTS. CERTAINS ÉTATS ET CERTAINES PROVINCES INTERDISENT L'EXCLUSION OU LA LIMITATION DES DOMMAGES ACCESSOIRES OU INDIRECTS, OU LES LIMITATIONS SUR LA DURÉE DES GARANTIES IMPLICITES DE QUALITÉ MARCHANDE OU D'ADAPTATION À UN USAGE PARTICULIER. IL EST DONC POSSIBLE QUE CES EXCLUSIONS OU LIMITATIONS NE S'APPLIQUENT PAS À VOUS. CETTE GARANTIE VOUS CONFÈRE DES DROITS JURIDIQUES SPÉCIFIQUES. VOUS POUVEZ ÉGALEMENT BÉNÉFICIER D'AUTRES DROITS, QUI VARIENT D'UN ÉTAT À L'AUTRE OU D'UNE PROVINCE À L'AUTRE.

Ce qui n'est pas couvert par ces garanties :

1. Les problèmes et dommages résultant des situations suivantes :
 - a. Installation, livraison ou entretien effectués incorrectement.
 - b. Toute réparation, modification, altération ou tout réglage non autorisés par le fabricant ou par un technicien de service autorisé.
 - c. Utilisation inadéquate, abusive ou non raisonnable, ou catastrophe naturelle.
 - d. Courant électrique, tension, alimentation électrique incorrectes.
 - e. Réglage inapproprié de toute commande.
2. Les garanties sont annulées si les numéros de série d'origine ont été enlevés, modifiés ou ne sont pas facilement lisibles.
3. Les ampoules.
4. Les produits achetés à des fins commerciales ou industrielles.
5. Les frais de dépannage ou de visite pour :
 - a. Correction d'erreurs d'installation.
 - b. Initiation de l'utilisateur à l'utilisation appropriée de l'appareil.
 - c. Transport de l'appareil aux locaux du technicien de service.
6. Les dommages indirects ou accessoires subis par toute personne à la suite d'une quelconque violation des garanties. Certains États ou certaines provinces interdisent l'exclusion ou la limitation des dommages indirects ou accessoires. Il est donc possible que l'exclusion ci-dessus ne s'applique pas à vous.

Si vous avez besoin d'aide

Consultez d'abord la section sur le dépannage du guide d'utilisation et d'entretien ou appelez Maytag Services, SARL, Service à la clientèle de Jenn-Air au 1 800 JENNAIR (1 800 536-6247) aux États-Unis et au Canada.

Pour obtenir un service en vertu de la garantie

Pour localiser une entreprise de réparation autorisée dans votre région, prenez contact avec le détaillant auprès duquel vous avez acheté l'appareil ou appelez Maytag Services, SARL, Service à la clientèle de Jenn-Air. Si le service obtenu en vertu de la garantie ne vous satisfait pas, veuillez écrire ou téléphoner à :

Maytag Services, SARL
À l'attention du CAIR® Center
P.O. Box 2370, Cleveland, TN 37320-2370 ÉTATS-UNIS
États-Unis et Canada : 1 800 JENNAIR (1 800 536-6247)

Remarque : Lors de tout contact auprès de Maytag Services, SARL, Service à la clientèle de Jenn-Air concernant un problème, veuillez fournir l'information suivante :

- a. Vos nom, adresse et numéro de téléphone.
- b. Les numéros de modèle et de série de l'appareil.
- c. Le nom et l'adresse du détaillant et la date d'achat de l'appareil.
- d. Une description détaillée du problème observé.
- e. Une preuve d'achat.

Les guides d'utilisation et d'entretien, les manuels de service et les renseignements sur les pièces sont disponibles auprès de Maytag Services, SARL, Service à la clientèle de Jenn-Air.

CUBIERTA DE ESTUFA A GAS JENN-AIR

GUÍA DE USO Y CUIDADO

TABLA DE MATERIAS

Instrucciones Importantes sobre Seguridad	21-24
Cocinando en la Cubierta	25-26
Cuidado y Limpieza	27
Localización y Solución de Averías	28
Garantía y Servicio	31

Instalador: Por favor deje esta guía junto con el electrodoméstico.

Consumidor: Por favor lea y conserve esta guía para referencia futura. Conserve el recibo de compra y/o el cheque cancelado como comprobante de compra.

Número de Modelo _____

Número de Serie _____

Fecha de Compra _____

Si tiene preguntas, llame a:

Jenn-Air Customer Assistance

1-800-JENNAIR (1-800-536-6247)

(Lunes a Viernes, 8:00 a.m. a 8:00 p.m. Hora del Este)

Internet: <http://www.jennair.com>

En nuestro continuo afán de mejorar la calidad y rendimiento de nuestros electrodomésticos, puede que sea necesario modificar el electrodoméstico sin actualizar esta guía.

Para información sobre servicio, ver página 31.

INSTRUCCIONES IMPORTANTES SOBRE SEGURIDAD

Las advertencias e instrucciones importantes sobre seguridad que aparecen en esta guía no están destinadas a cubrir todas las posibles circunstancias y situaciones que puedan ocurrir. Se debe ejercer sentido común, precaución y cuidado cuando instale, realice mantenimiento o haga funcionar el artefacto.

Siempre póngase en contacto con su distribuidor, agente de servicio o fabricante si surgen problemas o situaciones que usted no comprenda.

Reconozca los símbolos, advertencias, etiquetas de seguridad

ADVERTENCIA

ADVERTENCIA - Peligro o prácticas no seguras que PODRIAN causar lesión personal grave o mortal.

ATENCION

PRECAUCIÓN - Peligros o prácticas no seguras que PODRIAN causar lesión personal menos grave.

Lea y siga todas las instrucciones antes de usar este electrodoméstico para evitar el riesgo potencial de incendio, choque eléctrico, lesión personal o daño al electrodoméstico como resultado de su uso inapropiado. Utilice este electrodoméstico solamente para el propósito que ha sido destinado según se describe en esta guía.

Para asegurar funcionamiento correcto y seguro: El electrodoméstico debe ser instalado debidamente y puesto a tierra por un técnico calificado. No intente ajustar, reparar, prestar servicio o reparar ninguna pieza de su cubierta, a menos que sea específicamente recomendado en esta guía. Todas las reparaciones deben ser efectuadas por un técnico calificado. Pida al instalador que le indique la ubicación de la válvula de cierre del gas y como cerrarla en caso de una emergencia.

Siempre desenchufe el electrodoméstico antes de efectuar alguna reparación.

ADVERTENCIA

Si no se sigue estrictamente la información proporcionada en esta guía, se puede producir un incendio o una explosión, causando daños materiales, lesiones personales o mortales.

- **No almacene ni use gasolina ni otros vapores y líquidos inflamables en la vecindad de este electrodoméstico o de cualquier otro.**
- **QUE HACER SI PERCIBE OLOR A GAS:**
 - **No trate de encender ningún artefacto.**
 - **No toque ningún interruptor eléctrico.**
 - **No use ningún teléfono en su edificio.**
 - **Llame inmediatamente a su proveedor de gas desde el teléfono de un vecino. Siga las instrucciones proporcionadas por el proveedor de gas.**
 - **Si no puede localizar a su proveedor de gas, llame al cuerpo de bomberos.**
- **La instalación y reparaciones deben ser efectuadas por un técnico calificado, una agencia de reparaciones o el proveedor de gas.**

ADVERTENCIA

Puede ocurrir un escape de gas en su sistema y provocar una situación peligrosa. Los escapes de gas no pueden ser detectados por el olor solamente. Los proveedores de gas recomiendan que compre e instale un detector de gas aprobado por el laboratorio UL. Instálelo y úselo de acuerdo con las instrucciones del fabricante.

INSTRUCCIONES IMPORTANTES

SOBRE SEGURIDAD

Para Evitar un Incendio o Daño Causado por el Humo

ATENCION

NUNCA deje artículos sobre la cubierta. El aire caliente del respiradero puede encender los artículos inflamables y aumentar la presión en los envases cerrados hasta hacerlos reventar.

Asegúrese de que se hayan retirado todos los materiales de empaque del electrodoméstico antes de su uso.

Mantenga el área alrededor del electrodoméstico libre y exenta de materiales combustibles, gasolina u otros vapores y materiales inflamables.

Si el electrodoméstico es instalado cerca de una ventana, se debe tener cuidado para evitar que las cortinas pasen sobre los quemadores.

Muchos envases de tipo aerosol son EXPLOSIVOS cuando son expuestos al calor y pueden ser altamente inflamables. Evite su uso o su almacenamiento cerca del electrodoméstico.

Muchos plásticos son vulnerables al calor. Mantenga los plásticos alejados de las piezas de la cubierta que puedan estar tibias o calientes. No deje artículos de plástico sobre la cubierta pues se pueden derretir o ablandar si están demasiado cerca del respiradero o de un quemador superior encendido.

Para eliminar el riesgo de pasar sobre los quemadores superiores calientes, no se deben guardar artículos en los armarios que están directamente sobre la cubierta. Si tales armarios son usados para almacenamiento, debe limitarse a colocar artículos de uso poco frecuente y que pueden guardarse en forma segura en una área que está sujeta al calor proveniente de la cubierta. Las temperaturas pueden no ser apropiadas para algunos artículos, tales como artículos volátiles, limpiadores o sprays en aerosol.

Un débil olor a gas puede indicar un escape de gas. Si se detecta olor a gas, cierre el suministro de gas a la estufa. Llame a su instalador o a la compañía de gas local para que verifiquen la probable fuga de gas. **Nunca use un fósforo encendido ni ninguna otra llama para localizar un escape de gas.**

En Caso de Incendio

Apague el electrodoméstico y la campana de ventilación para evitar que las llamas se dispersen. Extinga las llamas luego encienda la campana para expulsar el humo y el olor.

- Apague el fuego o la llama en una sartén con una tapa o una bandeja de hornear.
- **NUNCA** levante o mueva una sartén en llamas.

No use agua en los incendios de grasa. Use bicarbonato de soda, un producto químico seco o un extinguidor del tipo con espuma para apagar un incendio o la llama.

Seguridad para los Niños

ATENCION

NUNCA almacene artículos de interés para los niños en los armarios que están sobre la cubierta o en el protector trasero de la cubierta. Los niños que se trepan en la puerta de la cubierta para alcanzar tales artículos pueden lesionarse seriamente.

NUNCA deja a los niños solos o sin supervisión cuando el electrodoméstico esté en uso o esté caliente.

NUNCA permita que los niños se sienten o se paren en ninguna parte del electrodoméstico pues se pueden lesionar o quemar.

Se les debe enseñar a los niños que el electrodoméstico y los utensilios que están en él o sobre él pueden estar calientes. Deje enfriar los utensilios calientes en un lugar seguro, fuera del alcance de los niños pequeños. Se les debe enseñar a los niños que un electrodoméstico no es un juguete. No se debe permitir que los niños jueguen con los controles u otras piezas de la cubierta.

INSTRUCCIONES IMPORTANTES

SOBRE SEGURIDAD

Generalidades



ADVERTENCIA

NUNCA use este electrodoméstico como calefactor de área o para elevar la temperatura de la habitación. Esto puede causar envenenamiento por monóxido de carbono y el sobrecalentamiento del horno.

NUNCA cubra ninguna rendija, agujero o canal con materiales tales como el papel de aluminio. Esto evita que el aire fluya y puede causar envenenamiento por monóxido de carbono. El papel de aluminio también puede contener el calor y producir un riesgo de incendio.

NUNCA obstruya el flujo del aire de combustión y de ventilación cubriendo las entradas o salidas de aire del horno. Esto puede restringir el acceso del aire a los quemadores y causar envenenamiento por monóxido de carbono.

No use la cubierta como una área para almacenar alimentos o utensilios de cocina.

Las superficies potencialmente calientes incluyen la cubierta, las áreas dirigidas hacia la cubierta.

Seguridad para Cocinar

Siempre coloque un utensilio en un quemador superior antes de encenderlo. Asegúrese de usar la perilla correcta que controla cada quemador superior. Asegúrese de encender el quemador correcto y comprobar de que en efecto el quemador haya sido encendido. Cuando haya terminado de cocinar, apague el quemador antes de retirar el utensilio para evitar exposición a la llama del quemador.

Siempre ajuste la llama del quemador superior de modo que no se extienda más allá del borde inferior del utensilio. Una llama excesiva es peligrosa, desperdicia energía y puede dañar la cubierta, el utensilio o los armarios que están sobre la cubierta.

NUNCA deje sin supervisión la cubierta cuando esté cocinando, especialmente cuando usa un ajuste de calor alto o cuando esté usando una freidora. Los derrames pueden producir humo y los derrames de grasa pueden inflamarse. Limpie los derrames grasos tan pronto como sea posible. No use calor alto durante períodos de cocción prolongados.

NUNCA caliente un envase cerrado en el quemador superior o en el horno. La acumulación de presión puede hacer

explotar el envase causando una lesión personal grave o daño a la cubierta.

Use toalla secas y gruesas. Las toallas húmedas pueden causar quemaduras a causa del vapor. Las toallas u otros sustitutos no deben ser usados como toallas porque ellos pueden quedar colgando a través de los quemadores superiores y encenderse o enredarse en las piezas de la cubierta.

Siempre deje enfriar la grasa caliente que se ha usado en la freidora antes de intentar mover o manipularla.

No permita que se acumule grasa u otros materiales inflamables en la cubierta o cerca de ella, en la campana o en el ventilador aspirador. Limpie la campana extractora con frecuencia para evitar que la grasa u otros materiales inflamables se acumulen en la campana o en el filtro. Encienda el ventilador cuando cocine alimentos flameados debajo la campana.

NUNCA use vestimentas de materiales inflamables, ropa suelta o de mangas largas cuando esté cocinando. La vestimenta se puede encender o enganchar en los mangos de los utensilios.

Utensilios Apropriados

Use sartenes con fondos planos y mangos que sean fáciles de tomar y que permanezcan fríos. Evite usar sartenes u ollas inestables, combadas que se pueden volcar fácilmente u ollas cuyos mangos estén sueltos. Además evite usar utensilios especialmente pequeños o sartenes con mangos pesados pues ellos pueden ser inestables y volcarse fácilmente. Los utensilios que son pesados de mover cuando están llenos con alimento pueden también ser un peligro.

Asegúrese de que el utensilio sea lo suficientemente grande como para contener en forma debida los alimentos y evitar derrames. El tamaño es particularmente importante cuando se utilizan freidoras. Asegúrese de que el utensilio tiene capacidad para el volumen de alimentos que se va a agregar al igual que para la formación de burbujas de la grasa.

Para reducir a un mínimo las quemaduras y que los materiales inflamables y los derrames se enciendan debidos a contacto no intencional con el utensilio, los mangos no deben extenderse sobre el quemador superior adyacente. Siempre gire los mangos de los utensilios hacia el lado o hacia la parte trasera de la cubierta, no hacia la habitación donde pueden ser fácilmente golpeados o alcanzados por los niños pequeños.

INSTRUCCIONES IMPORTANTES

SOBRE SEGURIDAD

Nunca deje que un utensilio hierva hasta quedar seco pues esto puede dañar el utensilio y la cubierta.

Solamente ciertos tipos de utensilios de vidrio/cerámico, de cerámica o glaseados son convenientes para uso en la cubierta sin quebrarse debido al cambio repentino de temperatura. Siga las instrucciones del fabricante cuando use utensilios de vidrio.

Este electrodoméstico ha sido probado respecto a su rendimiento seguro usando utensilios de cocina convencionales. No use ningún dispositivo o accesorio que no haya sido específicamente recomendado en esta guía. No use tapas para cubrir los quemadores superiores, rejillas para la cubierta. El uso de dispositivos o accesorios que no son expresamente recomendados en esta guía, puede crear serios peligros de seguridad, resultar en problemas de rendimiento y reducir la vida útil de los componentes de la cubierta.

Seguridad de la Limpieza

Apague todos los controles y espere que se enfríen las piezas de la cubierta antes de tocarlas o limpiarlas. No toque las rejillas de los quemadores o las áreas circundantes hasta que ellas no hayan tenido tiempo suficiente de enfriarse.

Limpie la cubierta con cuidado. Tenga cuidado para evitar quemaduras de vapor si se usa una esponja o un paño mojado para limpiar los derrames en una superficie caliente. Algunos limpiadores pueden producir vapores nocivos cuando se aplican a una superficie caliente.

Aviso y Advertencia Importante sobre Seguridad

La (Propuesta 65) de la Ley de 1986 del Estado de California sobre Seguridad y Contaminación del Agua Potable (California Safe Drinking Water and Toxic Enforcement Act of 1986) exige que el Gobernador de California publique una lista de las sustancias que según el Estado de California causan cáncer o daño al sistema reproductor y exige a las empresas que adviertan a sus clientes de la exposición potencial a tales sustancias.

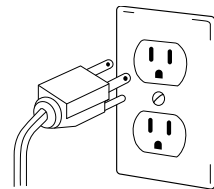
Se advierte a los usuarios de esta cubierta que la combustión del gas puede resultar en exposición de bajo nivel a algunas de las sustancias publicadas en la lista, incluyendo benceno, formaldehído y hollín, debido principalmente a la combustión incompleta del gas natural o de los combustibles de petróleo licuado. Los quemadores ajustados en forma debida reducirán la combustión incompleta. La exposición a estas sustancias puede también ser reducida a un mínimo ventilando los quemadores al exterior en forma adecuada.

AVISO IMPORTANTE RESPECTO A LOS PAJAROS

DOMESTICOS: Nunca mantenga a los pájaros domésticos en la cocina o en habitaciones hasta donde puedan llegar los humos de la cocina. Los pájaros tienen un sistema respiratorio muy sensible. Los humos producidos durante el ciclo de autolimpieza del horno pueden ser perjudiciales o mortales para los pájaros. Los humos que despiden el aceite de cocina, la grasa, la margarina al sobrecalentarse y la vajilla antiadherente sobrecalentada pueden también ser perjudiciales.

Conexión Eléctrica

Los electrodomésticos que requieren energía eléctrica están equipados con un enchufe de tres clavijas con conexión a tierra, el cual debe ser enchufado directamente en un tomacorriente eléctrico de tres agujeros, para 120 voltios debidamente conectado a tierra.



Siempre desenchufe el electrodoméstico antes de efectuar reparaciones.

El enchufe de tres clavijas con conexión a tierra ofrece protección contra peligros de choques eléctricos. **NO CORTE NI ELIMINE LA TERCERA CLAVIJA DE CONEXION A TIERRA DEL ENCHUFE DEL CORDON ELECTRICO.**

Si solamente se dispone de un tomacorriente sin conexión a tierra, de dos agujeros u otro tipo de tomacorriente eléctrico, **el propietario del electrodoméstico es personalmente responsable de reemplazar el tomacorriente con un tomacorriente eléctrico de tres agujeros debidamente puesto a tierra.**

Conserve estas instrucciones para referencia futura

COCINANDO EN LA CUBIERTA

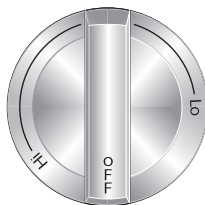
Controles Superiores

! ATENCION

- Si la llama se apaga cuando esté cocinando, apague el quemador. Si se detecta un olor fuerte a gas, abra una ventana y espere cinco minutos antes de volver a encender el quemador.
- Asegúrese de que todos los controles superiores estén en la posición **'OFF'** (Apagado) antes de suministrar gas a la cubierta.
- **NUNCA** toque la superficie de la cubierta hasta que no se haya enfriado. Se espera de que algunas de las piezas de la superficie, especialmente alrededor de los elementos, se entibien o calienten mientras está cocinando. Use tomaollas para proteger sus manos.

Perillas de los Controles Superiores

Se utilizan para encender los quemadores superiores. Se dispone de una selección infinita de ajustes de calor desde **'Lo'** a **'Hi'** (Bajo a Alto). En el ajuste **'Hi'** se puede sentir un tope o una muesca.

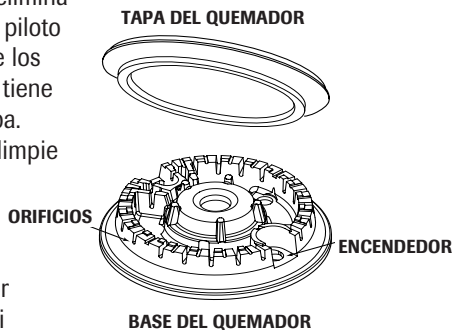


Encendido sin Piloto

El encendido sin piloto elimina la necesidad de una luz piloto constante. Cada uno de los quemadores superiores tiene un encendedor de chispa.

Tenga cuidado cuando limpie alrededor de los quemadores superiores.

Si un quemador superior no enciende, verifique si el encendedor está roto, sucio o mojado.



Programación de los Controles

Su cubierta tiene quemadores de gas sellados con reencendido automático. Si la llama del quemador se apaga, el sistema automáticamente producirá una chispa para reencender el quemador.

1. Coloque un utensilio sobre la rejilla del quemador. (Para conservar el acabado de la rejilla, no haga funcionar los quemadores sin un utensilio sobre la rejilla para absorber el calor proveniente de la llama del quemador.)
2. Oprima la perilla y gire inmediatamente a la izquierda al ajuste deseado.

- Se escuchará un chasquido (chispa) y el quemador se encenderá. (Todos los encendedores producirán chispa cuando cualquier perilla de los quemadores superiores se enciende. Sin embargo, solamente el quemador seleccionado se encenderá.)

Funcionamiento Durante Una Interrupción de la Corriente Eléctrica

1. Acerque un fósforo encendido a la cabeza del quemador superior deseado.
2. Oprima y gire la perilla de control lentamente a la posición deseada.

! ATENCION

- Cuando se encienden los quemadores superiores, asegúrese de que todas las perillas de control estén en la posición **"OFF"**. Primero encienda el fósforo y manténgalo en posición antes de girar la perilla.
- **No deje** desatendida la cubierta cuando cocine durante una interrupción de la corriente eléctrica. La característica de reencendido automático no funciona durante una interrupción de la corriente eléctrica.

Ajustes de Calor Sugeridos

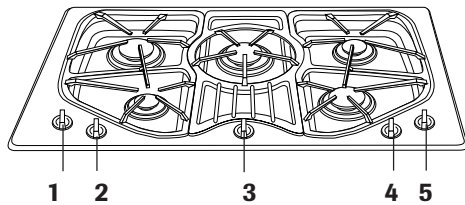
El tamaño y tipo de los utensilios de cocina afectará el ajuste de la llama. Para información sobre los utensilios de cocina y otros factores que afectan los ajustes de la llama, consulte el folleto **"La Cocina Fácil"**.

AJUSTES	USOS
'Hi' (alto) 	<p>Se usa para hacer hervir un líquido o alcanzar la presión adecuada en una olla a presión. Siempre reduzca el ajuste a un calor más bajo cuando los líquidos comiencen a hervir o cuando los alimentos comiencen a cocinarse.</p> <p>Se usa una llama de tamaño intermedio para continuar cocinando. El alimento no se cocinará más rápido cuando se usa un ajuste de llama más alto que el necesario para mantener un hervor suave. El agua hierve a la misma temperatura si está hirviendo suavemente o vigorosamente.</p>
'Lo' (bajo) 	<p>Se usa para calentar alimentos a fuego lento, mantener los alimentos calientes y derretir chocolate o mantequilla.</p> <p>Se puede a veces cocinar en el ajuste "Lo" si el utensilio se tapa. Es posible reducir el calor girando la perilla hacia "OFF". Verifique que la llama sea estable.</p>

COCINANDO EN LA CUBIERTA

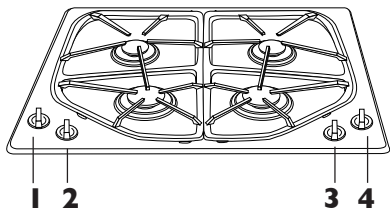
Vista General de la Cubierta

MODELO JGC8536



1. Quemador superior trasero izquierdo (9.200 BTU).
2. Quemador superior delantero izquierdo (5.000 BTU en "Hi", 650 BTU en "Lo").
3. Quemador superior central (15.000 BTU).
4. Quemador superior delantero derecho (12.500 BTU).
5. Quemador superior trasero derecho (5.000 BTU en "Hi", 650 BTU en "Lo").

MODELO JGC8430B



1. Quemador superior trasero izquierdo (10.500 BTU).
2. Quemador superior delantero izquierdo (5.000 BTU en "Hi", 650 BTU en "Lo").
3. Quemador superior delantero derecho (15.000 BTU).
4. Quemador superior trasero derecho (9.200 BTU).

Para evitar que la cubierta se descolore o se manche:

- Limpie la cubierta de la estufa después de cada uso.
- Limpie los derrames ácidos o azucarados tan pronto como la cubierta se haya enfriado pues estos derrames pueden descolorar la cubierta.

Quemadores Sellados

Los quemadores sellados están asegurados a la cubierta y no han sido diseñados para ser sacados. Debido a que los quemadores están sellados en la cubierta, los derrames o reboses no se escurrirán debajo de la cubierta.

Sin embargo, los quemadores pueden ser limpiados después de cada uso. La cabeza del quemador se puede quitar fácilmente para la limpieza. (Ver página 27 para las instrucciones sobre la limpieza.)

Los cabezas de los quemadores se deben colocar correctamente en la base del quemador para la operación apropiada del quemador.

Quemador de Alto Rendimiento*

Existe un quemador de alto rendimiento en su estufa, situado en la posición central o la posición delantero derecho. Este quemador ofrece cocción más rápida y puede ser usado para hervir rápidamente agua o para cocinar grandes cantidades de alimento.

Quemadores para Cocinar a Fuego Lento*

Estos quemadores están ubicados en la posición delantera izquierda y/o trasera derecha. El quemador para cocinar a fuego lento ofrece una llama de menos BTU para salsas delicadas o derretir chocolate.

**El régimen nominal de BTU variará cuando se usa gas licuado.*

Rejillas de los Quemadores

Las rejillas deben estar debidamente colocadas antes de comenzar a cocinar. La instalación incorrecta de las rejillas puede resultar en picaduras de la cubierta. Para asegurar la colocación apropiada, alinee los topes en fondo de la rejilla con las muescas en la cubierta.

No use los quemadores sin tener un utensilio en la parrilla. El acabado de porcelana de las parrillas puede picarse si no existe un utensilio que absorba el calor de la llama del quemador.

Aunque las parrillas de los quemadores son durables, gradualmente perderán su brillo y/o se descolorarán, debido a las altas temperaturas de la llama del gas.

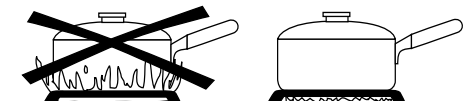
Notas:

- Un quemador ajustado de manera correcta con orificios limpios se encenderá dentro de unos pocos segundos. Si está usando gas natural la llama será azul con un cono interior azul profundo.

Si la llama del quemador es amarilla o es ruidosa, la mezcla de aire/gas puede ser incorrecta. Póngase en contacto con un técnico de servicio para ajustarla. (Los ajustes no están cubiertos por la garantía.)

Con gas licuado son aceptables algunas puntas amarillas en la llama. Esto es normal y no es necesario hacer ningún ajuste.

- Con algunos tipos de gas, usted puede oír un "chasquido" cuando el quemador superior se apaga. Este es un sonido normal del funcionamiento del quemador.
- La llama debe ser ajustada de modo que no se extienda más allá del borde del utensilio.



CUIDADO Y LIMPIEZA

Procedimientos de limpieza

ATENCION

- **Asegúrese de que la estufa esté apagada y que todas las piezas estén frías antes de tocarla o limpiarla. Esto es para evitar daño y posibles quemaduras.**
- Para evitar manchas o decoloración limpie la estufa después de cada uso.
- Si se retira alguna pieza, asegúrese de que la vuelve a colocar en la forma correcta.

PIEZA	PROCEDIMIENTO DE LIMPIEZA
Quitan Cabezas de los Quemadores	<ul style="list-style-type: none"> • Deje que el quemador se enfríen. Quitar casquillos de la hornilla y lave con agua jabonosa y una esponja de restregar de plástico. Limpie la suciedad rebelde con una esponja no abrasiva rellena con jabón y Cooktop Cleaning Creme (Crema para Limpiar Cubiertas), (Pieza #20000001)**. • No lave en la lavavajilla o en el horno autolimpiante.
Quemadores Sellados de Gas	<ul style="list-style-type: none"> • Limpie frecuentemente. Espere que el quemador se enfríe. Limpie con una esponja de fregar de plástico con jabón. Para la suciedad persistente, use un limpiador no abrasivo y un paño. • Tenga cuidado de que no entre agua en de los centros de los quemadores. • Tenga cuidado cuando limpie el encendedor. Si el encendedor está húmedo o dañado el quemador superior no encenderá. • Para asegurar incluso cocinar funcionamiento, mantenga los puertos de los quemadores libres suciedad del alimento/debris.
Rejillas de los Quemadores	<ul style="list-style-type: none"> • Lávelas con agua tibia jabonosa y una esponja de plástico no abrasiva. Para manchas rebeldes, limpie con una esponja de plástico rellena con jabón, no abrasiva o con Cooktop Cleaning Creme* (Crema para Limpieza de Cubiertas) (Pieza # 20000001) y una esponja. Si permanece el suelo, reaplique la Cooktop Cleaning Creme, cúbrala con una toalla de papel húmeda y empápela por 30 minutos. Friegue otra vez, enjuague y seque. • Las rejillas están hechas de porcelana sobre hierro forjado y son muy durables. Sin embargo, pueden perder sub brillo y/o se descolorarán. Esto se debe a su exposición a las altas temperaturas de la llama del gas. • No lave en la lavavajilla o en el horno autolimpiante.
Perillas de Control	<ul style="list-style-type: none"> • Retire las perillas cuando estén en la posición 'OFF' tirándolas hacia arriba. • Lave, enjuague y seque. No use agentes de limpieza abrasivos pues pueden rayar el acabado. • Encienda cada elemento para asegurarse de que las perillas han sido correctamente reinstaladas.
Cubierta - Porcelana Esmaltada	<p>La porcelana esmaltada es vidrio fusionado con metal y puede agrietarse o picarse con el mal uso. Es resistente al ácido pero no es a prueba de ácido. Todos los derrames especialmente los derrames ácidos o azucarados deben ser limpiados inmediatamente con un paño seco.</p> <ul style="list-style-type: none"> • Cuando esté fría, lave con agua jabonosa, enjuague y seque. • Nunca limpie la superficie caliente o tibia con un paño húmedo. Esto puede causar agrietamiento o picadura. • Nunca use limpiadores de horno, agentes de limpieza abrasivos o cáusticos en el acabado exterior de la cubierta.
Cubierta - Acero Inoxidable (modelos selectos)	<ul style="list-style-type: none"> • NO USE NINGUN PRODUCTO DE LIMPIEZA QUE CONTenga BLANQUEADOR A CASE DE CLORO. • SIEMPRE LIMPIE EL ACERO A FAVOR DEL GRANO. • NO USE LIMPIADORES "ORANGE" NI LIMPIADORES ABRASIVOS. • Limpieza Diaria/Suciedad Leve – Limpie con uno de los siguientes – agua con jabón, una solución de vinagre blanco con agua, limpiador para vidrio y cubiertas 'Formula 409*' o un limpiador similar para superficies vidrios – usando una esponja o un paño suave. Enjuague y seque. Para lustrar y evitar marcas de los dedos, use el producto 'Stainless Steel Magic Spray*' (Pieza No. 20000008)**. • Suciedad Moderada/Manchas Rebeldes – Limpie con uno de los siguientes – 'Bon Ami', 'Smart Cleanser' o 'Soft Scrub*' – usando una esponja húmeda o un paño suave. Enjuague y seque. Las manchas difíciles pueden ser quitadas con una esponja multi-uso 'Scotch-Brite*' húmeda; frote a favor del grano. Enjuague y seque. Para restaurar el lustre y sacar las vetas, aplique 'Stainless Steel Magic Spray'. • Decoloración – Usando una esponja mojada o un paño suave, limpie con limpiador para acero inoxidable 'Cameo Stainless Steel Cleaner*'. Enjuague inmediatamente y seque. Para sacar las vetas y restaurar el lustre, utilice 'Stainless Steel Magic Spray'.

* Los nombres de los productos son marcas registradas de sus respectivos fabricantes.

** Para pedidos directos, llame al 1-800-JENNAIR (1-800-536-6247).

LOCALIZACIÓN Y SOLUCIÓN DE AVERÍAS

PROBLEMA	SOLUCION
El quemador superior no se enciende.	<ul style="list-style-type: none">• Verifique si el enchufe está firmemente insertado en el tomacorriente.• Verifique o vuelva a reponer el disyuntor. Verifique o reemplace el fusible.• Verifique el suministro de energía eléctrica.• Asegúrese de que el quemador sea compatible con su clase de gas.• Verifique para asegurarse de que los orificios de los quemadores o los orificios del encendedor no estén obstruidos.• Verifique para asegurarse de que el encendedor esté seco y que emita chasquidos. El quemador no se encenderá si el encendedor está dañado, sucio o mojado. Si el encendedor no produce un chasquido, gire la perilla de control a la posición "OFF".• Asegúrese de que la tapa del quemador está correctamente asentada en la base del quemador.
La llama del quemador superior se levanta del orificio.	<ul style="list-style-type: none">• Verifique para asegurarse de que el utensilio está asentado en la parrilla sobre el quemador.• Póngase en contacto con un técnico autorizado de Jenn-Air.
La llama es dispareja.	<ul style="list-style-type: none">• Los orificios del quemador pueden estar obstruidos.• Puede que sea necesario ajustar la llama. Póngase en contacto con un técnico autorizado de Jenn-Air.
La llama del quemador superior es de color amarillo.	<ul style="list-style-type: none">• Algunas puntas amarillas en la llama son aceptables cuando se usa gas propano líquido.• Consulte a un técnico autorizado de Jenn-Air.

NOTAS

NOTAS

GARANTÍA Y SERVICIO

Garantía completa de un año - Piezas y mano de obra

Durante **un (1) año** a partir de la fecha original de compra al detal, se reparará o reemplazará gratuitamente cualquier pieza que falle durante el uso normal en el hogar.

Note lo siguiente: Esta garantía completa se aplica únicamente cuando el electrodoméstico se encuentra en los Estados Unidos o Canadá. Los electrodomésticos que se encuentren en otros países estarán cubiertos únicamente por las garantías limitadas, incluyendo las piezas que fallen durante el primer año.

Garantías limitadas - Piezas solamente

Del segundo al quinto año - A partir de la fecha original de compra, se repararán o reemplazarán gratuitamente las piezas indicadas a continuación (si se aplican al electrodoméstico adquirido) que fallen durante el uso doméstico normal en lo que respecta a las piezas y el propietario deberá pagar todos los otros costos incluyendo la mano de obra, el kilometraje/millaje, el transporte, el costo del viaje y el costo del diagnóstico.

- **Teclado y microprocesador**
- **Tubo magnetrón**
- **Cubierta de vidrio cerámico: Debido a rotura térmica.**
- **Elementos calentadores eléctricos: Elementos superiores, de asar y de hornear en electrodomésticos de cocción eléctricos.**
- **Controles electrónicos**
- **Quemadores sellados a gas**

Residentes canadienses

Esta garantía cubre solamente aquellos artefactos instalados en Canadá que han sido certificados por la Asociación de Normas Canadienses (CSA) a menos que hayan sido traídos a Canadá desde los Estados Unidos debido a un cambio de residencia.

*Las garantías específicas expresadas anteriormente son las **ÚNICAS** garantías provistas por el fabricante. Esta garantía le otorga derechos legales específicos y usted puede tener además otros derechos que varían de un estado a otro.*

LA ÚNICA Y EXCLUSIVA SOLUCIÓN PARA EL CLIENTE BAJO ESTA GARANTÍA ES LA REPARACIÓN DEL PRODUCTO SEGÚN SE INDICA AQUÍ. LAS GARANTÍAS IMPLÍCITAS, INCLUYENDO LAS GARANTÍAS DE COMERCIALIZACIÓN O DE APTITUD PARA UN PROPÓSITO EN PARTICULAR ESTÁN LIMITADAS A UN AÑO O AL PERÍODO DE TIEMPO MÍNIMO PERMITIDO POR LA LEY. MAYTAG CORPORATION NO SERÁ RESPONSABLE DE DAÑOS INCIDENTALES O CONSECUENTES. ALGUNOS ESTADOS Y PROVINCIAS NO PERMITEN LA EXCLUSIÓN O LIMITACIÓN DE DAÑOS INCIDENTALES O CONSECUENTES O LA LIMITACIÓN DE LA DURACIÓN DE LAS GARANTÍAS IMPLÍCITAS DE COMERCIALIZACIÓN O APTITUD, POR LO QUE ESTAS EXCLUSIONES O LIMITACIONES PUEDEN NO APLICARSE EN SU CASO. ESTA GARANTÍA LE OTORGA DERECHOS LEGALES ESPECÍFICOS. USTED TAMBIÉN PUEDE TENER OTROS DERECHOS QUE VARIAN DE UN ESTADO A OTRO O DE UNA PROVINCIA A OTRA.

Lo que no cubren estas garantías:

1. Situaciones y daños resultantes de cualquiera de las siguientes situaciones:
 - a. Instalación, entrega o mantenimiento inapropiados.
 - b. Cualquier reparación, modificación, alteración o ajuste no autorizados por el fabricante o centro de servicio autorizado.
 - c. Mal uso, abuso, accidentes, uso no razonable o hechos fortuitos.
 - d. Corriente, voltaje o suministro eléctrico incorrectos.
 - e. Ajuste inadecuado de cualquier control.
2. Las garantías quedan nulas si los números de serie originales han sido retirados, alterados o no son fácilmente legibles.
3. Bombillas.
4. Los productos comprados para uso comercial o industrial.
5. El costo del servicio o llamada de servicio para:
 - a. Corregir errores de instalación.
 - b. Instruir al usuario sobre el uso correcto del producto.
 - c. Transporte del electrodoméstico al establecimiento de servicio.
6. Los daños consecuentes o incidentales sufridos por cualquier persona como resultado del incumplimiento de esta garantía. En algunos estados no se permite la exclusión o limitación de daños consecuentes o incidentales, por lo tanto la limitación o exclusión anterior puede no aplicarse en su caso.

Si necesita servicio

Primero lea la sección de localización y solución de averías en su guía de uso y cuidado o llame al departamento de atención al cliente de Maytag Services, LLC, Jenn-Air al 1-800-JENNAIR (1-800-536-6247) en los Estados Unidos y Canadá.

Para obtener servicio bajo la garantía

Para ubicar una compañía de servicio autorizado en su localidad, póngase en contacto con el distribuidor donde adquirió su electrodoméstico o llame al departamento de atención al cliente de Maytag Services, LLC, Jenn-Air. Si no recibe servicio satisfactorio bajo la garantía, por favor llame o escriba a:

Maytag Services, LLC
Attn: CAIR® Center
P.O. Box 2370, Cleveland, TN 37320-2370
1-800-JENNAIR (1-800-536-6247) en EE.UU y en Canadá.

Nota: Cuando se ponga en contacto con el departamento de atención al cliente de Maytag Services, LLC, Jenn-Air acerca de un problema, por favor incluya la siguiente información:

- a. Su nombre, dirección y número de teléfono;
- b. Números de modelo y serie del electrodoméstico;
- c. Nombre y dirección del distribuidor y fecha de compra del producto;
- d. Una descripción clara del problema;
- e. Comprobante de compra.

Las guías de uso y cuidado, los manuales de servicio y la información sobre las piezas pueden ser solicitadas al departamento de atención al cliente de Maytag Services, LLC, Jenn-Air.